

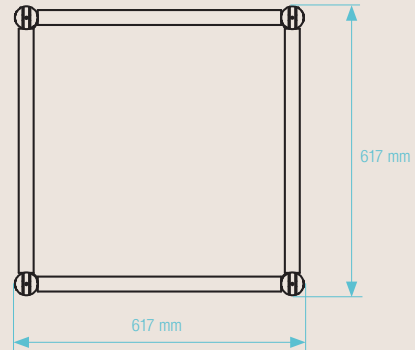
# 4GS-62

Great for –giant structures, rental applications

- connection type > fork end connection
- tubes > 48x4,5 mm
- braces > 25x3 mm  
32x3 mm
- material > AlMgSi1  
> EN-AW 6082 T6

Circles & special structures available

Powder coating to RAL reference 



Span in m	4,00	6,00	8,00	10,00	12,00	14,00	16,00	18,00	19,00
point load in kg	1665	2990	2223	1759	1446	1219	1046	909	851
deflection in mm	7,0	13,0	23,0	35,0	51,0	69,0	91,0	115,0	128,0
two point load in kg	3330	2242	1667	1319	1085	914	785	682	639
deflection in mm	7,0	16,0	29,0	45,0	65,0	88,0	116,0	146,0	163,0
distrib. loading in kg/m	1665	996	555	352	240	174	130	101	90
total distrib. loading in kg	6660,0	5976,0	4440,0	3520,0	2880,0	2436,0	2080,0	1818,0	1710,0
deflection in mm	7,0	16,0	28,0	44,0	64,0	87,0	113,0	143,0	159,0

## STANDARD LENGTHS AVAILABLE AND WEIGHTS

m	1,200	1,626	2,400	3,000
4GS-62 (kg)	20,0	28,0	40,0	51,0

connection material (pins/clips/cons) and packaging not included in above weights

## Principal of connection

