

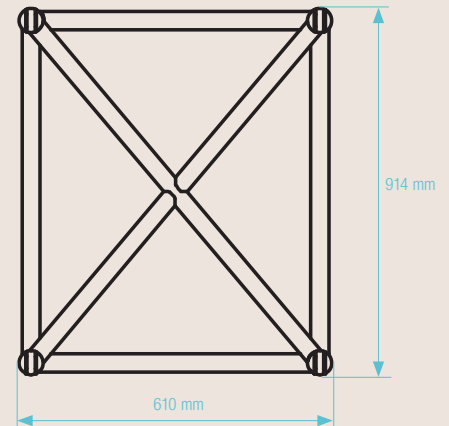
4GX-91

Great for – applications where long span with extremely heavy load is required

- connection type > fork end connection
- tubes > 60x6 mm
- braces > 46x3 mm
48x4,5 mm
- material > AlMgSi1
> EN-AW 6082 T6

Circles and special structures available

Powder coating to RAL reference 



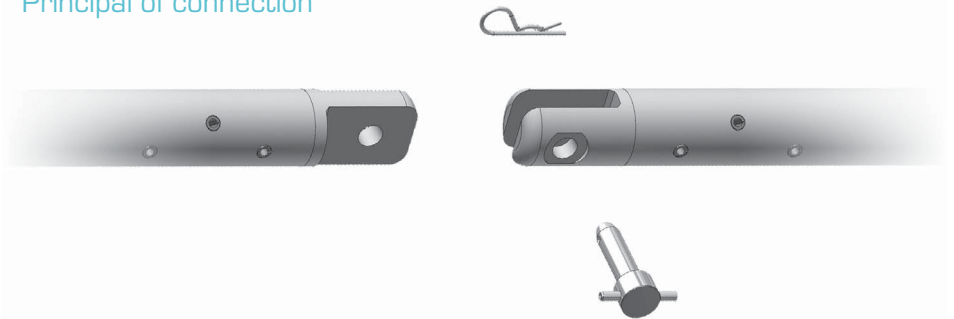
STANDARD LENGTHS AVAILABLE AND WEIGHTS

m	1,200	2,400	3,000
4GX-91 (kg)	24,0	48,0	60,0

connection material (pins/clips/cons) and packaging not included in above weights

Span in m	6,00	8,00	10,00	12,00	14,00	16,00	18,00	20,00	22,00	24,00
point load in kg	8718	6503	5166	4267	3619	3129	2742	2429	2169	1873
deflection in mm	9,0	16,0	24,0	35,0	48,0	62,0	79,0	97,0	118,0	140,0
two point load in kg	4936	4877	3873	3200	2715	2347	2056	1821	1626	1405
deflection in mm	11,0	20,0	31,0	45,0	61,0	80,0	101,0	124,0	151,0	179,0
distrib. loading in kg/m	1645	1229	979	710	517	390	304	242	196	156
total distrib. loading in kg	9870,0	9832,0	9790,0	8520,0	7238,0	6240,0	5472,0	4840,0	4312,0	3746,9
deflection in mm	11,0	19,0	30,0	44,0	60,0	78,0	99,0	122,0	147,0	175,0

Principal of connection



Giant
Fork end
connector

5166 kg
CPL in 10 m
of 4GX-91

Ultra strong
60x6 mm tube used
as main chord