

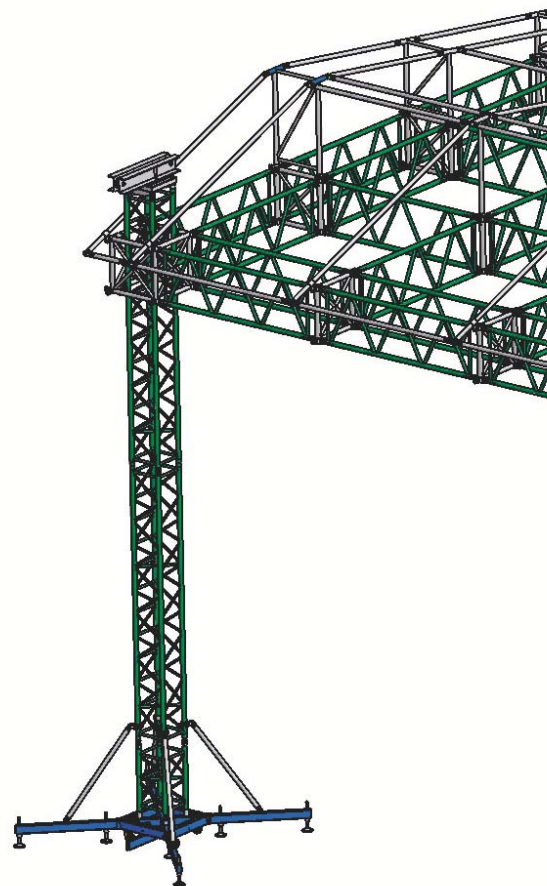
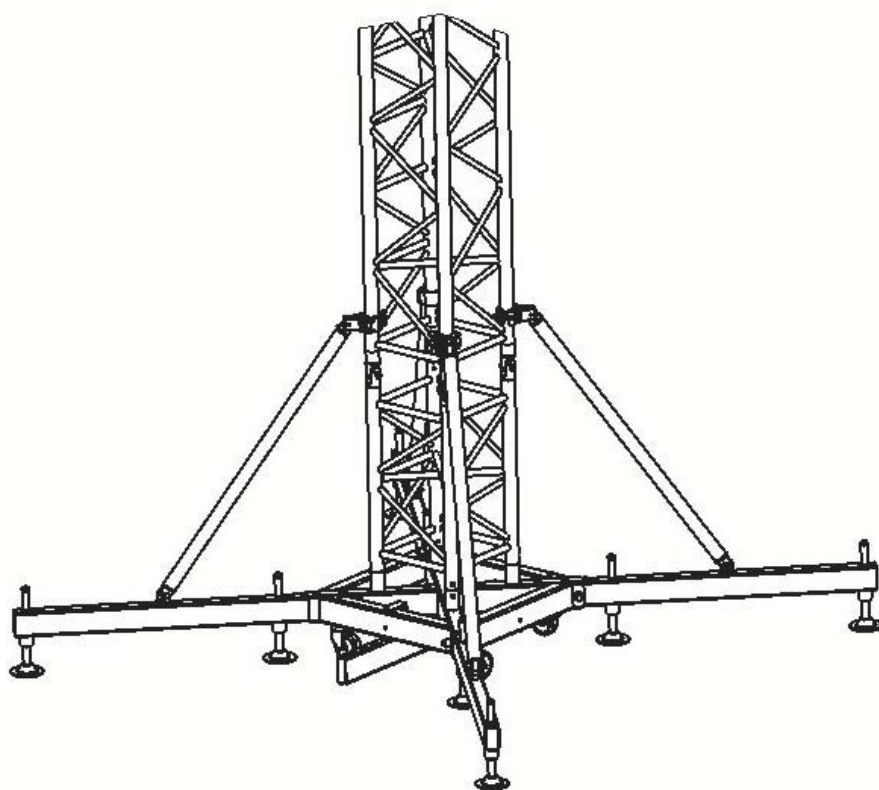
DUO ROOF

Space saving model of roofing. New technology of roof systems based on DUO truss with fork end connectors.

Fast assembling – no connectors. Just a pins.
 Low transport volume.
 Many hanging points. Each truss cross can be used as hanging point
 Duo roof is based on TS3 towers (fork end connections) and Duo system
 Arched model available.
 Duo grid perfect also for tv studio installation.

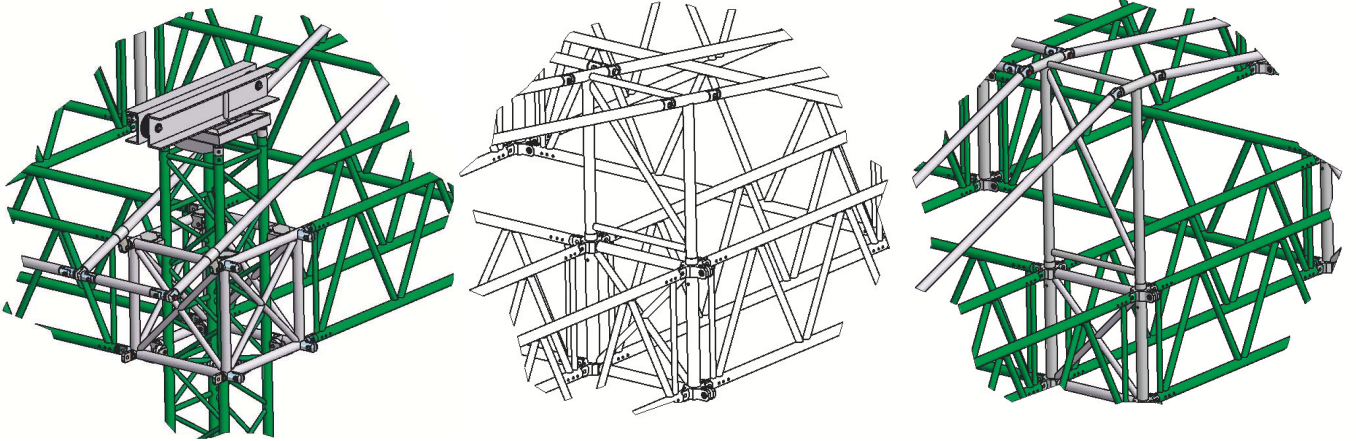
Technical data

max. dimension - stage size	>	14x10 m
max. clearance	>	12 m
max. load bearing capacity	>	3000 kg
total weight	>	2000 kg

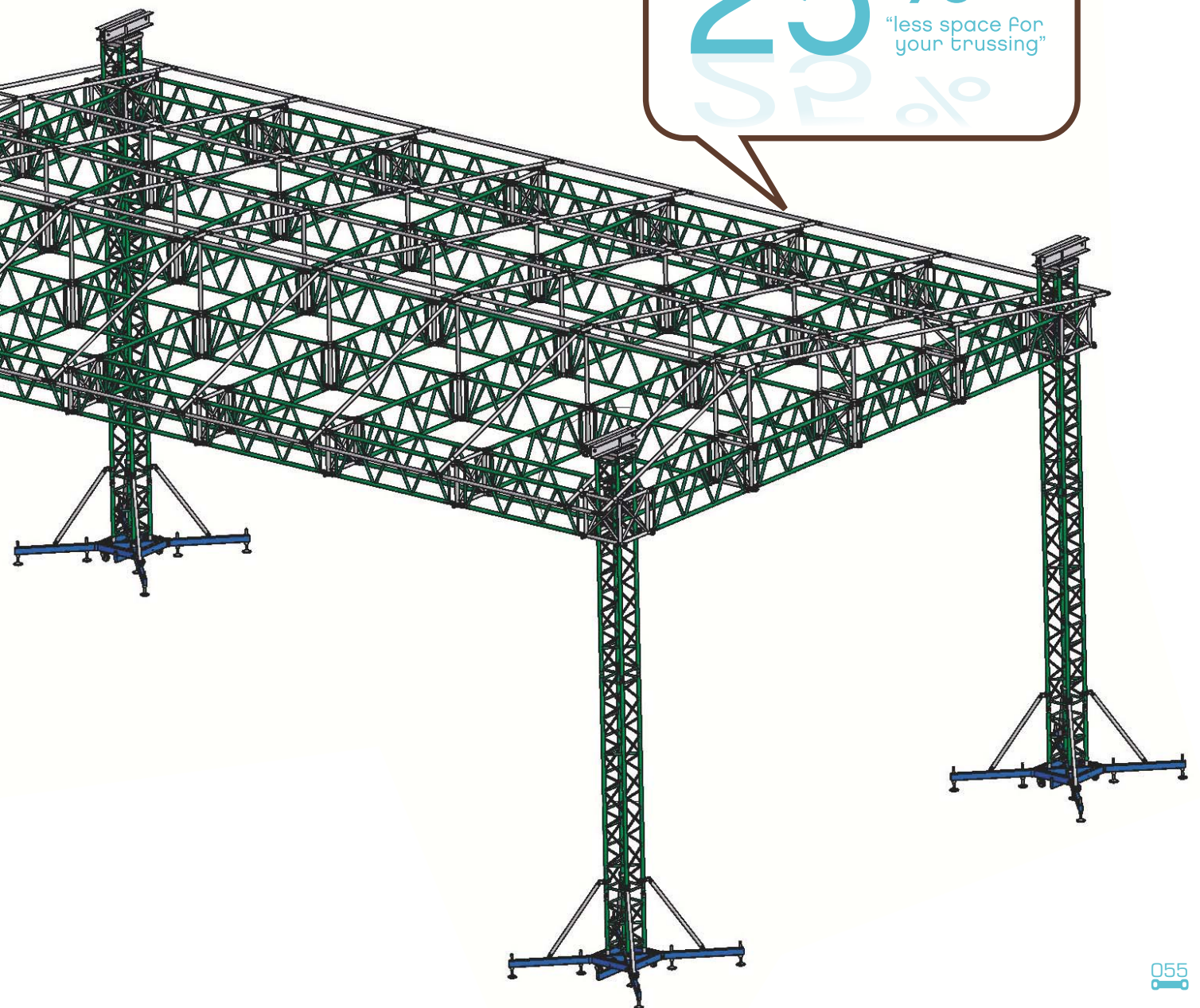


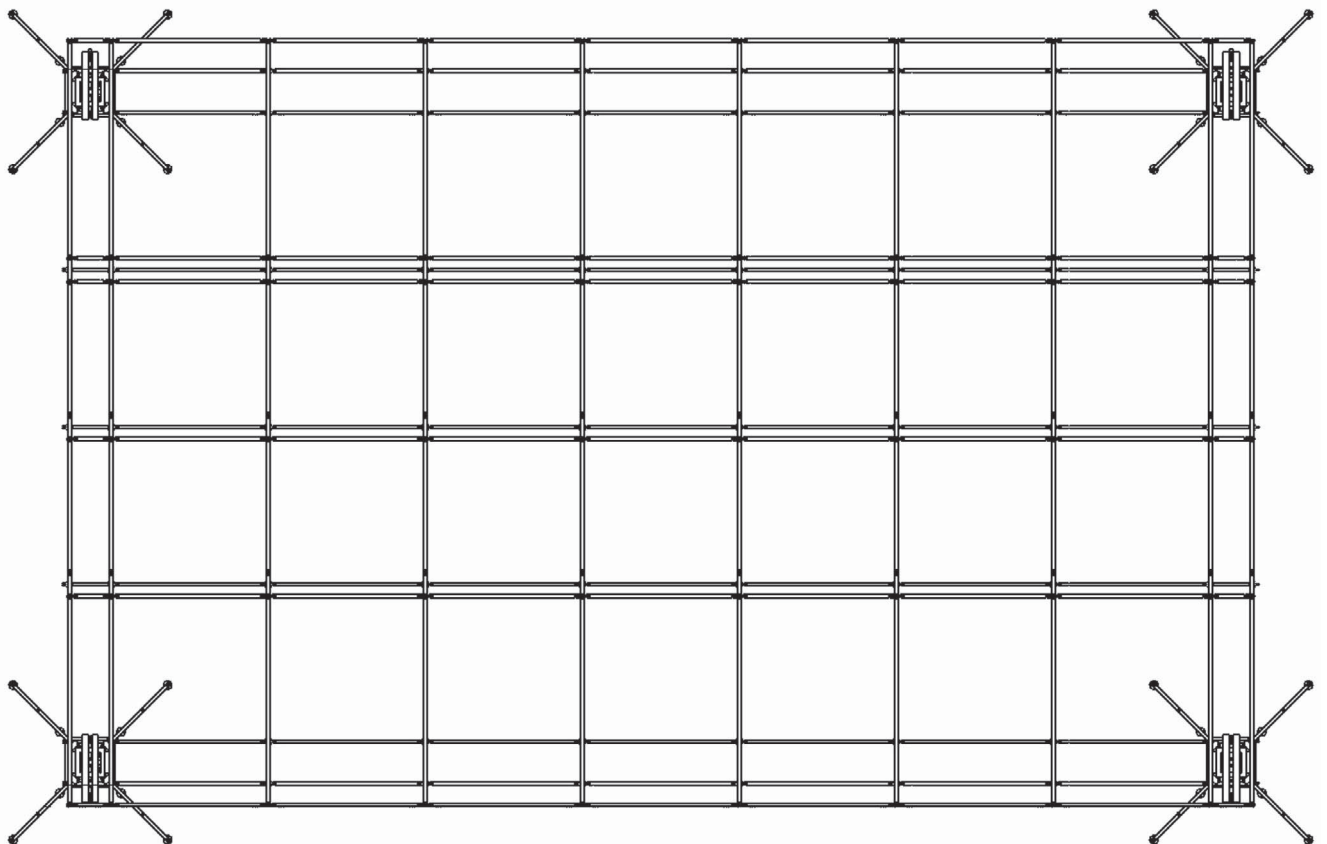
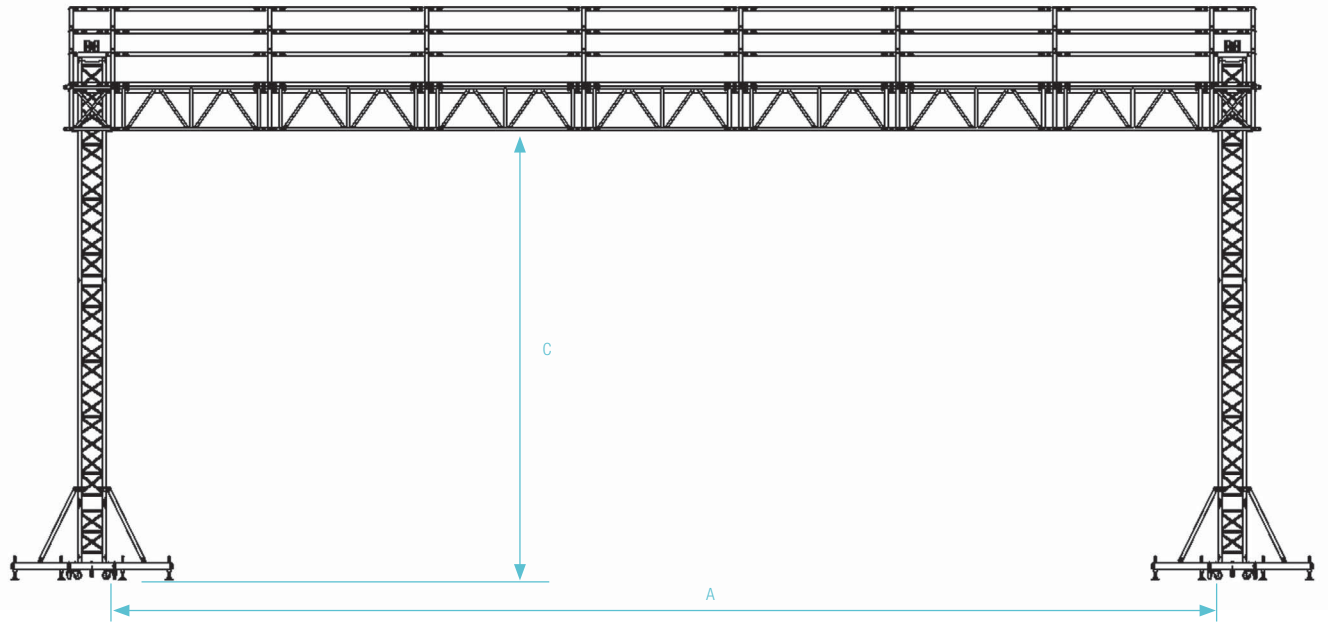
space
saving
system

DUO ROOF

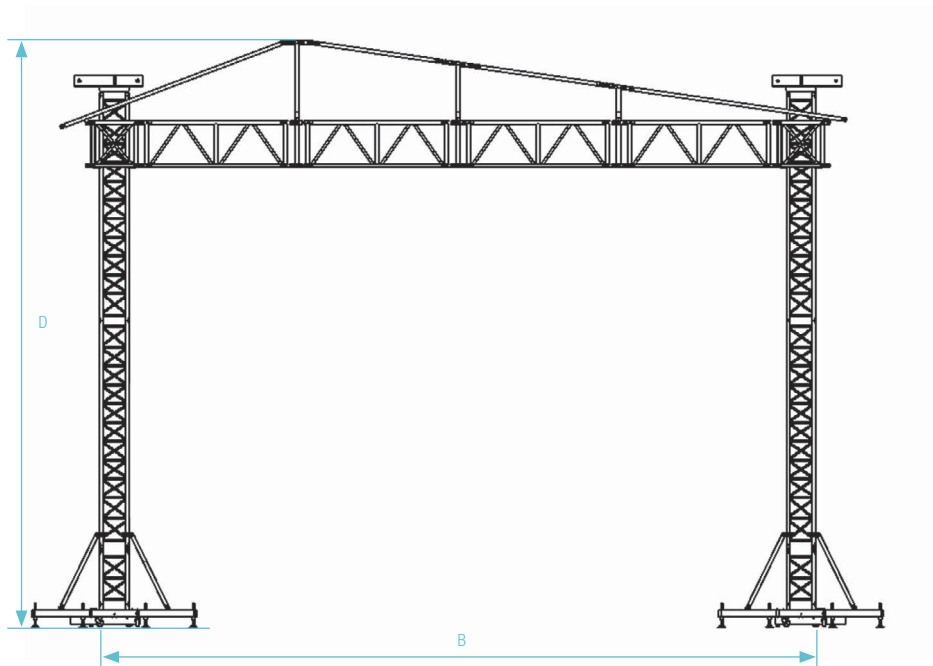


25%
"less space for
your trussing"

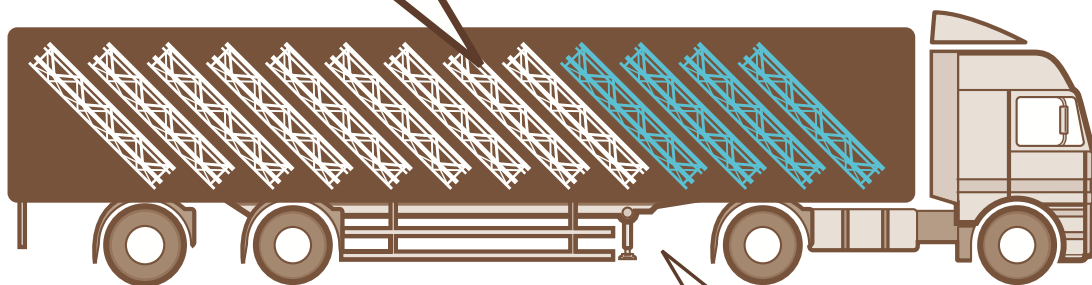




Roof size	A: Inside width	B: Inside depth	C: Clearance	D: Height
14x10 m	14,0 m	10,0 m	12,0 m	14,8 m
12x10 m	12,0 m	10,0 m	12,0 m	14,8 m
10x8 m	10,0 m	10,0 m	12,0 m	14,8 m



25%
"less space for your trussing"



space saving system