

## S3

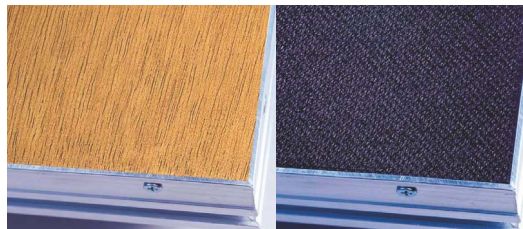
S3 is the perfect self-build platform system for basic stage applications. The light-weight aluminium profile combines with a rigid deck construction to create simple stage configurations. The low-profile stage is available with either an indoor or outdoor (water-resistant) plywood deck.

### Technical data

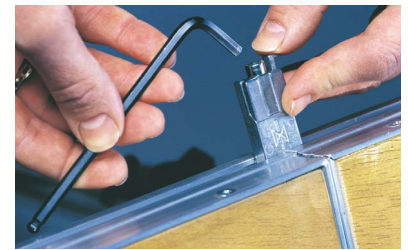
dimensions	>	200x100
height	>	adjustable up to 140 cm
max. load	>	750 kg/m <sup>2</sup>
top	>	plywood 15 mm
weight	>	35 kg
storage height	>	10 cm
platform material	>	aluminium
special surface	>	possible
special sizes	>	possible



**S3**  
plug-in leg with quicklock mechanism

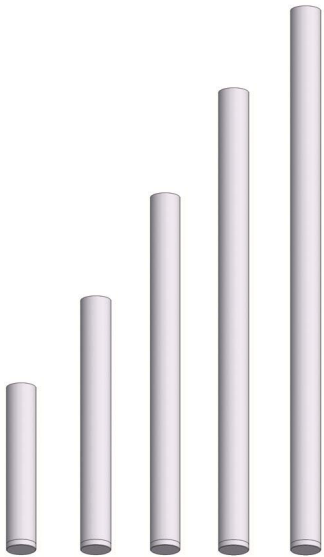


**S1, S3**  
indoor wooden top/outdoor water-resistant surface



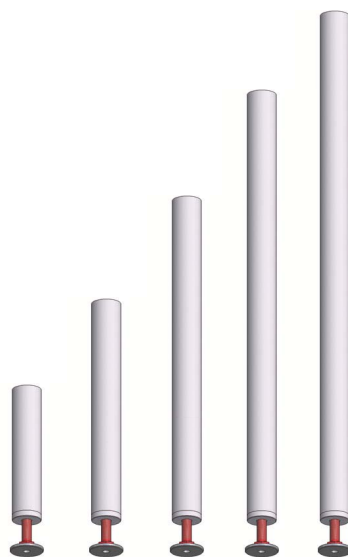
**S3, S1**  
xStage connection system





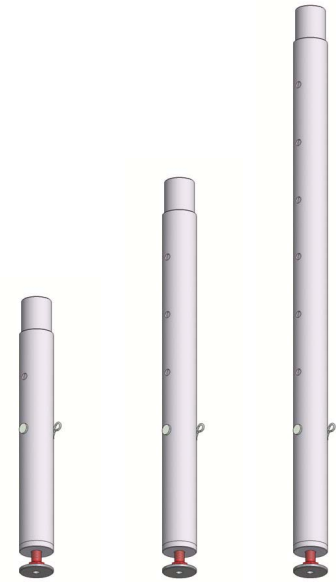
**Standard leg for S3**

plain aluminium tube in height from 200-1000 mm



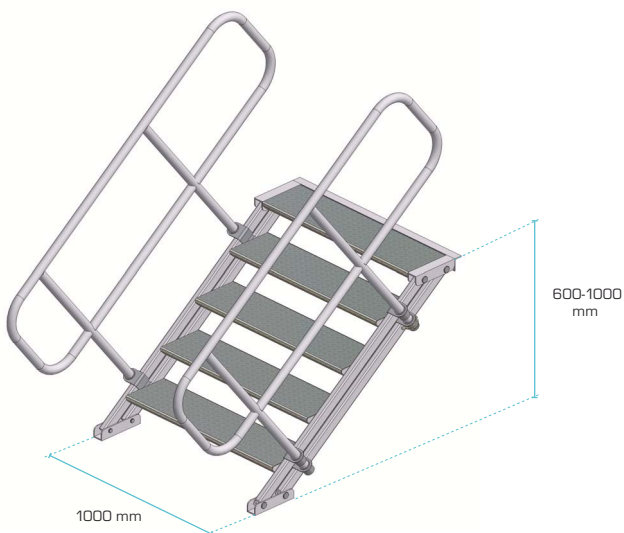
**Adjustable leg for S3**

aluminium tube in height from 200-1000 mm with adjustable feet



**Telescopic leg for S3**

telescopic leg 500-700 mm  
telescopic leg 700-1000 mm  
telescopic leg 1000-1500 mm



**Adjustable stairs**

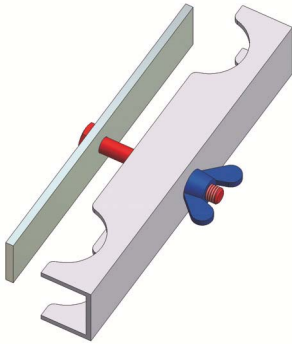
stairs which can work from 600 mm - 1000 mm



**Adjustable stairs**

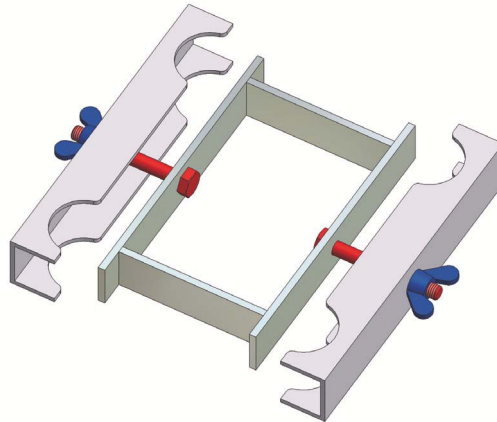
adjustability in action

# PODIUMS



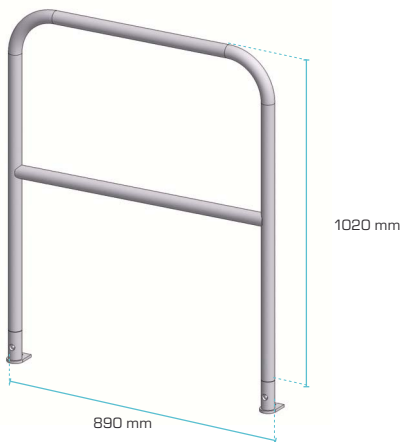
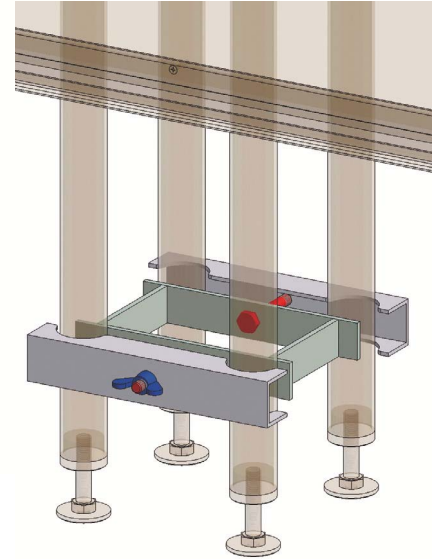
**Connector for legs /2**

quick 2 leg clamping connector made from aluminium and steel



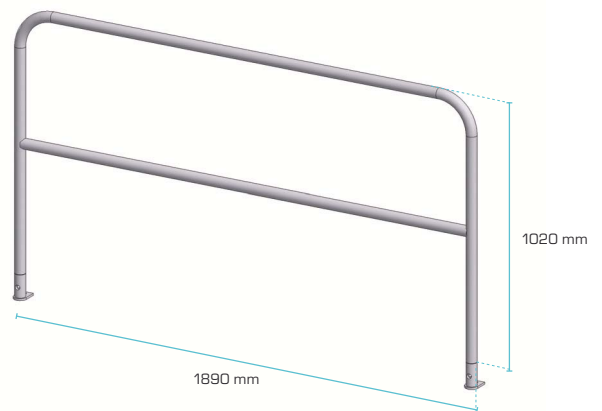
**Connector for legs /4**

quick 4 leg clamping connector made from aluminium and steel



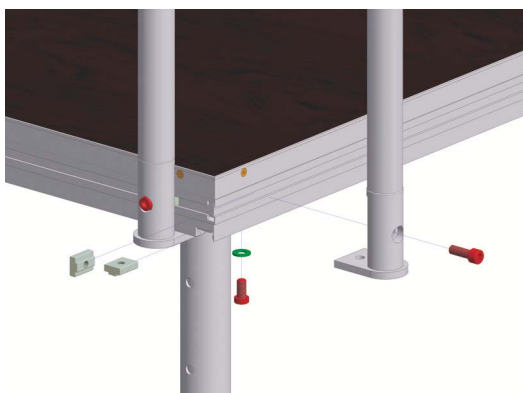
**Guard rail 1 m**

made from aluminium tube 40 mm anodized or powder coated



**Guard rail 2 m**

made from aluminium tube 40 mm anodized or powder coated



**Guard rail**

fixing of guard rail to the xStage frame



**Transport cart**