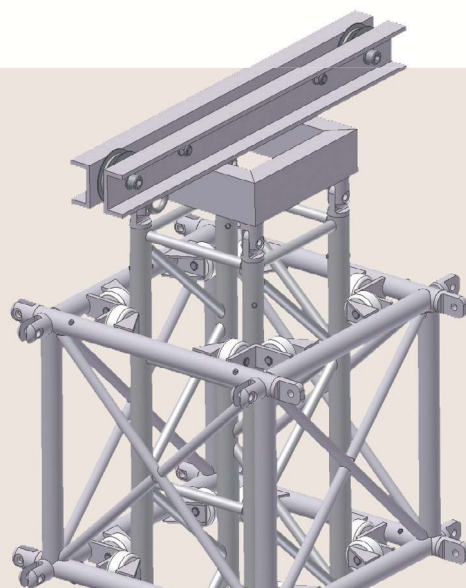


TS3

Technical data

vertical truss	>	4GS-35
maximum height	>	12,0 m
maximum load	>	2000 kg (with chain hoist)
total weight	>	160 kg



TS3 - list of items for 1 tower 12,0 m high

TS3 01	steel base with wheels	1 piece
TS3 02C	head section	1 piece
TS3 03*	sleeve block	1 piece
TS3 05	long outrigger	4 pieces
TS3 08**	hoist holder	1 piece
TS3 09**	erecting tool	1 piece
4GS-35-L666	vertical truss 0,666 m	1 piece
4GS-35-L2400	vertical truss 2,4 m	1 piece
4GS-35-L3000	vertical truss 3,0 m	3 piece

* choose one version of horizontal fittings

MT3 031 - 4GS-62

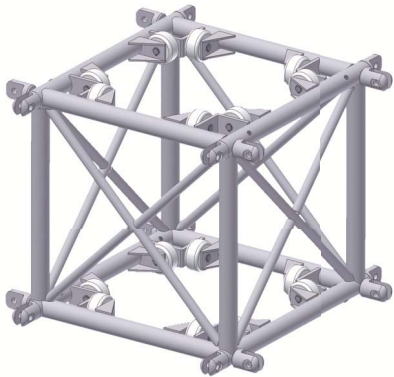
MT3 032 - 4GS-62 and 62F

MT3 033 - 4GS-62 and 35

** optional



TOWER TS3



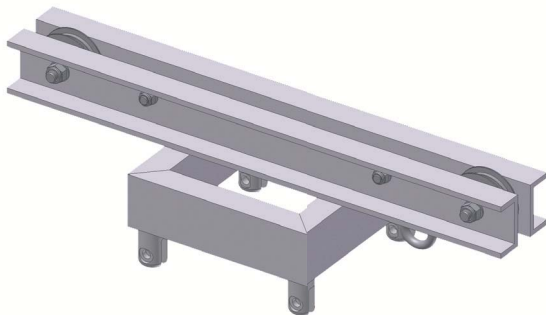
TS3 031 SLEEVE BLOCK

sleeve block designed for 4GS-35 vertical truss, horizontal connections for 4GS-62



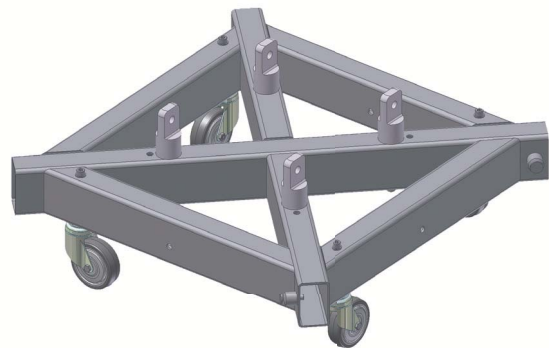
TS3 05 LONG OUTRIGGER

1,2 m long base supports with 2 leveling screws



TS3 02 HEAD SECTION

top section of tower with eye bold for securing chain



TS3 01 TOWER BASE

reinforced steel tower base equipped with wheels, for use with long outriggers



TS3 09 ERRECTING TOOL

very useful tool for lifting tower truss to vertical position using chain hoist, only one tool can be used for more towers



TS3 08 HOIST HOLDER

structure to connect hoist on site of sleeve block