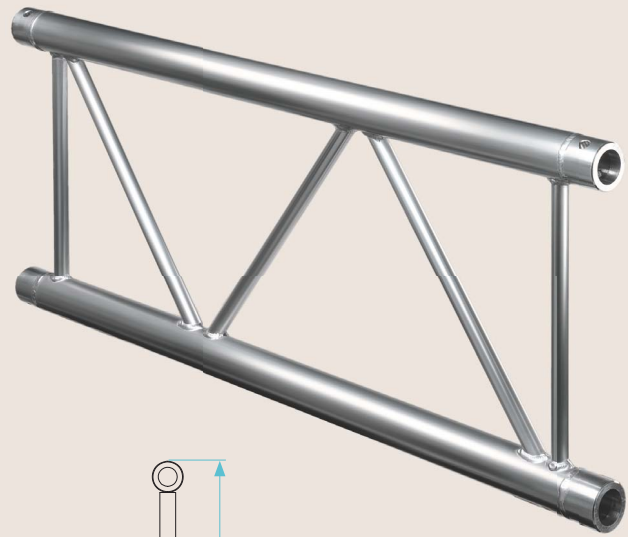


K-40

Great for—theatrical applications, large scale structures with lower loading request

- connection type > conical connector
 - tubes > 50x2 mm
 - braces > 25x3 mm
 - material > AlMgSi1
 - > EN-AW 6082 T6
- Circles & special structures available
 Powder coating to RAL reference



2 point

2K-40

figures are based on use in vertical position and stabilised every 1 m

Span in m	4,00	6,00	8,00	10,00	12,00	14,00	16,00	18,00
point load in kg	831	549	407	320	261	218	186	159
deflection in mm	9,0	20,0	36,0	56,0	81,0	111,0	146,0	186,0
two point load in kg	612	412	305	240	196	164	139	120
deflection in mm	11,0	26,0	45,0	71,0	102,0	139,0	181,0	229,0
distrib. loading in kg/m	306	183	102	64	44	31	23	18
total distrib. loading in kg	1224	1098,0	816,0	640,0	528,0	434,0	368,0	324,0
deflection in mm	8,0	25,0	44,0	69,0	100,0	136,0	177,0	225,0

3K-40

figures are based on use in apex down orientation

Span in m	4,00	6,00	8,00	10,00	12,00	14,00	16,00	18,00
point load in kg	715	468	342	264	210	171	140	114
deflection in mm	8,0	17,0	31,0	49,0	71,0	98,0	129,0	166,0
two point load in kg	536	351	256	198	158	128	105	86
deflection in mm	10,0	22,0	39,0	61,0	88,0	119,0	156,0	197,0
distrib. loading in kg/m	357	156	85	53	35	24	17	13
total distrib. loading in kg	1428	936,0	680,0	530,0	420,0	336,0	272,0	234,0
deflection in mm	10,0	21,0	38,0	60,0	86,0	117,0	153,0	193,0

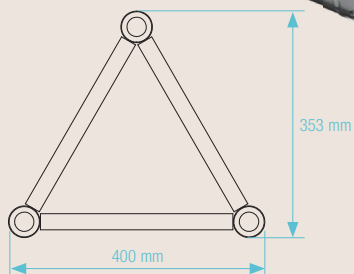
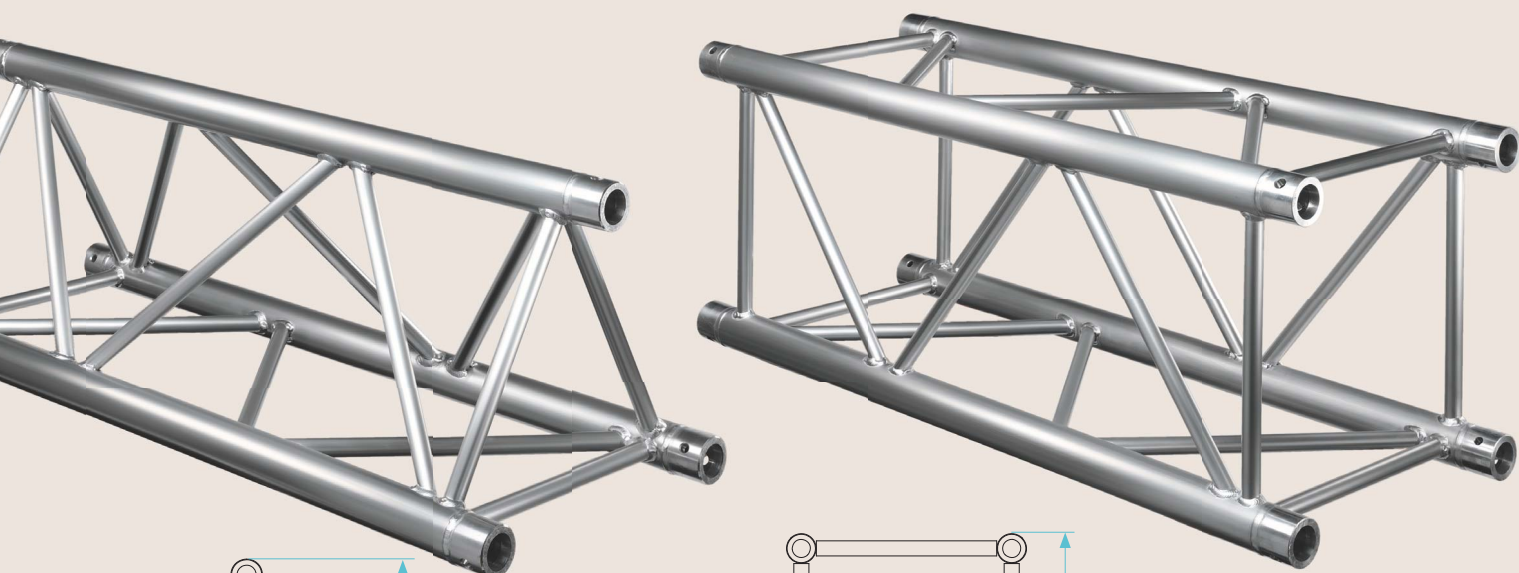
4K-40

Span in m	4,00	6,00	8,00	10,00	12,00	14,00	16,00	18,00
point load in kg	1661	1096	809	634	516	429	362	308
deflection in mm	9,0	20,0	36,0	56,0	81,0	112,0	147,0	187,0
two point load in kg	1222	822	607	476	387	322	271	231
deflection in mm	11,0	26,0	45,0	71,0	102,0	139,0	181,0	229,0
distrib. loading in kg/m	611	365	202	127	86	61	45	34
total distrib. loading in kg	2444	2190,0	1616,0	1270,0	1032,0	854,0	720,0	612,0
deflection in mm	8,0	25,0	44,0	69,0	100,0	136,0	178,0	225,0

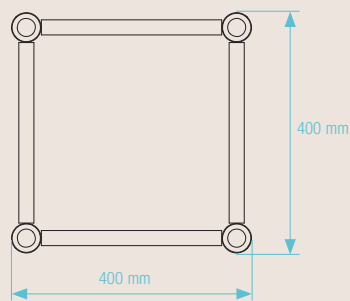
STANDARD LENGTHS AVAILABLE AND WEIGHTS

m	0,50	1,00	1,50	2,00	2,50	3,00	4,00	5,00
2KH-40 (kg)	1,75	3,45	4,00	6,90	8,65	10,35	13,80	17,25
3KH-40 (kg)	2,50	4,95	5,43	9,90	12,40	14,85	19,80	24,75
4KH-40 (kg)	3,25	6,50	9,75	13,00	16,25	19,50	26,00	32,50

connection material (pins/clips/cons) and packaging not included in above weights

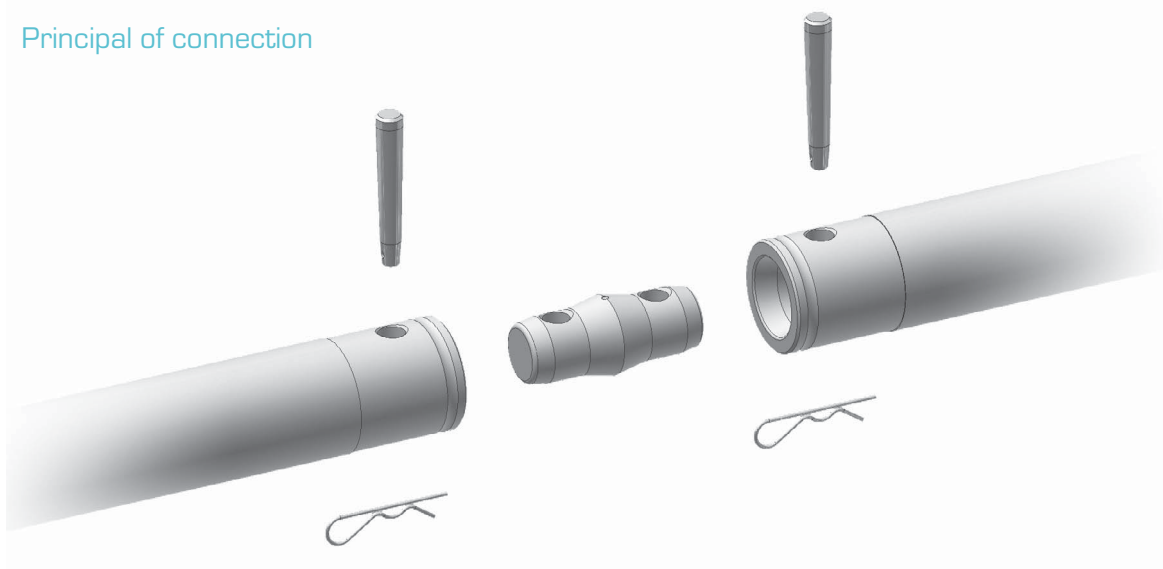


3
point



4
point

Principal of connection



18 m
max. span

1096 kg

CPL in 6 m
of 4K-40